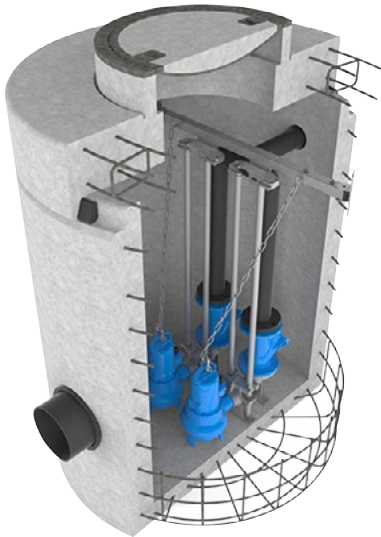


PLUG AND PLAY PUMPING STATIONS - CONCRETE TYPE FLOWFIX FOR WASTEWATER, STORMWATER AND DRAINAGE WATER



The Aquafix FLOWFIX plug and play pumping stations are designed for efficient removal of wastewater, stormwater and drainagewater. The bodies of these pumping stations are constructed and designed for static loads. The reinforced high quality concrete is watertight according to EN 206-1 and EN 8005. Minimum concrete class C 60/75, environmental classification XA3/EA3. The minimum wall thickness is 120mm. The pumping stations are standard equipped with a BeGu (EN 124) manhole cover DN 600 or 800mm load class: B. 125kN. For a small surcharge you can opt for a cover class D. 400kN.

All of the pump pits mentioned underneath we have in stock. In a very short time we can also deliver your custom made pumping station at your desired location. We also have a large stock of wastewater pumps in our own warehouse. Our own production workshop is fully equipped and we build the systems quickly and efficiently for you, including pipework, valves and coupling systems inside.

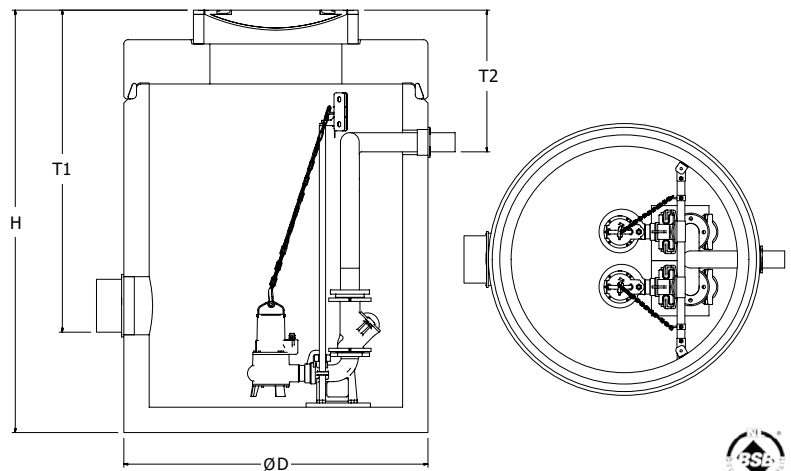
You can choose a single or double pump system, depending on the requirements of your client. Depending on the situation you can choose a vortex-, channel- or cutting impeller. Our pump systems are available in 220 volt and 400 volt version. Depending on the type of pump and the price you can opt for auto coupling with guide rail or free standing with a simple three part coupling (we only use stainless steel guide rails and lifting chains). We only use high quality pumps made of cast iron or stainless steel of the following brands: Homa pumps, Grundfos, Lowara and Flygt, but you can also choose your own pump brand.

Benefits:

- For underground installation to use for heavy traffic Class B. 125 kN and class D. 400 kN
- From high quality reinforced concrete
- Compact design with pipework, valves and coupling systems inside
- Pipe systems inside of high quality pressure HDPE
- Solutions tailor-made for standard prices
- Level controls are accessible from the top providing easy adjustment from outside the pit
- Great choice of different pits and options

Options:

- Available in single or double pump system
- Available with a free standing pump with a simple three part coupling or with an auto coupling with guide rail
- Internal coating or PE-HD liners possible
- Available with or without control box with level measurement
- Control box with GSM module for telemetry is possible
- Control box for outdoor installation is possible
- Choice for level control for float or hydrostatic pressure transducer



Type AQUAFIX®	Useful Content min.	Useful Content max.	Internal Ø	External Ø	Total Height	Inlet Depth min.	Inlet Dept max.	Total Weight
305.0021.0000	365 liter	430 liter	800 mm	1050 mm	1530 mm	550 mm	680 mm	1.443 kg
305.0023.0000	365 liter	705 liter	800 mm	1050 mm	2075 mm	550 mm	1225 mm	1.892 kg
305.0030.0000	575 liter	725 liter	1000 mm	1250 mm	1590 mm	550 mm	740 mm	1.982 kg
305.0033.0000	575 liter	1500 liter	1000 mm	1250 mm	2590 mm	550 mm	1740 mm	2.983 kg
305.0040.0000	825 liter	1115 liter	1200 mm	1450 mm	1670 mm	550 mm	820 mm	2.630 kg
305.0044.0000	825 liter	2550 liter	1200 mm	1450 mm	2930 mm	550 mm	2080 mm	4.122 kg
305.0050.0000	1290 liter	2175 liter	1500 mm	1750 mm	1900 mm	550 mm	1050 mm	3.943 kg
305.0054.0000	1290 liter	3965 liter	1500 mm	1750 mm	2915 mm	550 mm	2065 mm	5.414 kg
305.0060.0000	2355 liter	3890 liter	2000 mm	2250 mm	1940 mm	550 mm	1040 mm	5.810 kg
305.0064.0000	2355 liter	7000 liter	2000 mm	2250 mm	2930 mm	550 mm	2030 mm	7.687 kg
305.0070.0000	3680 liter	7410 liter	2500 mm	2800 mm	2210 mm	550 mm	1310 mm	9.808 kg
305.0073.0000	3680 liter	11.875 liter	2500 mm	2800 mm	3120 mm	550 mm	2220 mm	12.499 kg

Dimension in mm, storage in liters and weight in kilograms

Subject to changes